



Montanari Giulio & C.

GEARLESS MG250 - MG340



MONTANARI GIULIO & C. S.r.l.

41100 MODENA (Italy) – Via Bulgaria,39 –Tel. +39 059 45.36.11 –Fax +39 059 31.58.90 –Cap.Soc. €520.000 i.v. –Export MO 004935

R.E.A. di MO N. 210108 –Reg.Imprese di MO Cod.fisc. e Part.IVA n. 01047170368 –Identification CEE No. IT 01047170368

www.montanari-giulio.com - **E-mail:** info@montanari-giulio.com





Montanari Giulio & C.

Motore sincrono a magneti permanenti con tecnologia Brush-less.

Progettato utilizzando i più moderni metodi di calcolo ed analisi ad elementi finiti per soddisfare i nuovi requisiti del mercato ascensoristico:

- Elevata capacità
- Compattezza.
- Silenziosità.
- Comfort.
- Sicurezza.
- Risparmio energetico.

Il particolare design è studiato per ascensori senza locale macchine (roomless) e si presta ad essere montato internamente al vano corsa.

Permanent magnets synchronous motor with Brush-less technology.

Designed using the most modern calculation methods and finite element analysis in order to satisfy the new requirements of the lift market.

- high load capacity
- compactness
- silentness
- comfort safety
- energy saving

Moteur synchrone à des aimants permanents avec technologie Brush-less

Projeté en utilisant les plus modernes méthodes de calcul et analyses à éléments finis pour satisfaire les nouvelles demandes du marché de l'ascenseur.

- grande capacité de charge.
- Compacité.
- Silencieux.
- Sûreté.
- épargne énergétique.

Le design détaillé est étudié pour des ascenseurs sans salle machinerie (roomless) et il se prête des montages au dedans du vain course.

Synchroner Motor mit permanenten Magneten (Brush-less Technologie).

Geplant, die modernsten Berechnungsmethoden und Fertigelementanalysen verwendend zwecks neuer Aufzugsmarktsanforderungen.

- erhöhte Faehigkeit
- Kompaktheit
- Ruhig
- Komfort
- Sicherheit
- energische Einsparung

Das bestimmte Design wird für Getriebelosen- (roomless) Aufzuege geplant und es erlaubt eine Montage in dem Fahrtraum.

MONTANARI GIULIO & C. S.r.l.

41100 MODENA (Italy) – Via Bulgaria,39 –Tel. +39 059 45.36.11 –Fax +39 059 31.58.90 –Cap.Soc. €520.000 i.v. –Export MO 004935

R.E.A. di MO N. 210108 –Reg.Imprese di MO Cod.fisc. e Part.IVA n. 01047170368 –Identification CEE No. IT 01047170368

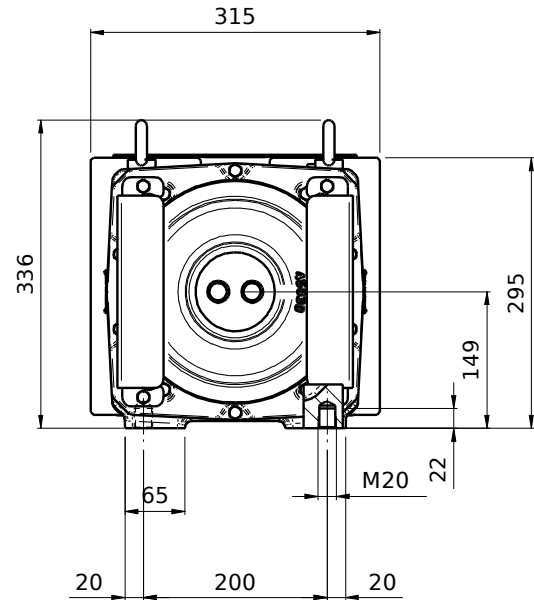
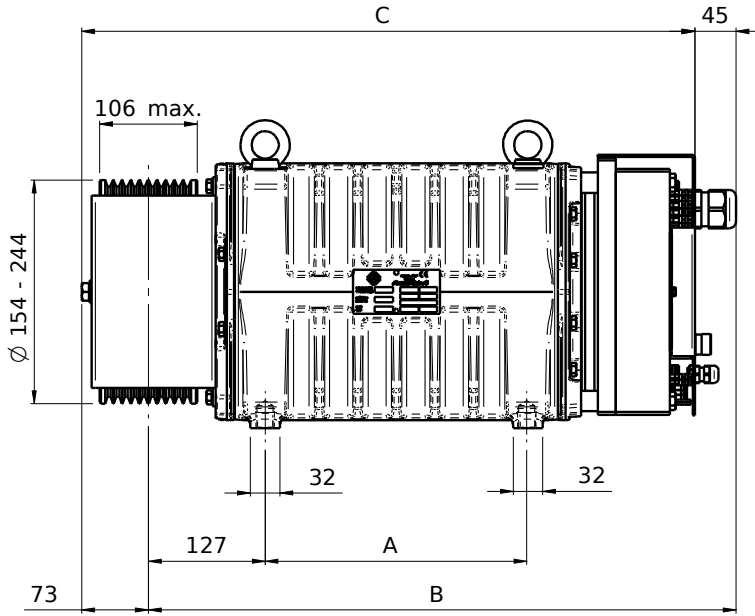
www.montanari-giulio.com - **E-mail:** info@montanari-giulio.com





Montanari Giulio & C.

MG250.....



Codice Code	A	B	C
	mm	mm	mm
MG250.2....	187	540	568
MG250.3....	187	540	568
MG250.5...	285	640	668

MONTANARI GIULIO & C. S.r.l.

41100 MODENA (Italy) – Via Bulgaria,39 –Tel. +39 059 45.36.11 –Fax +39 059 31.58.90 –Cap.Soc. €520.000 i.v. –Export MO 004935

R.E.A. di MO N. 210108 –Reg.Imprese di MO Cod.fisc. e Part.IVA n. 01047170368 –Identification CEE No. IT 01047170368

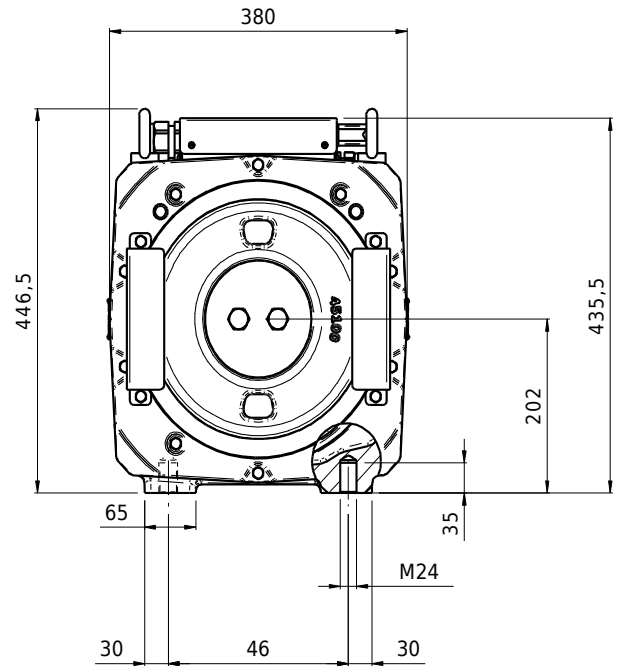
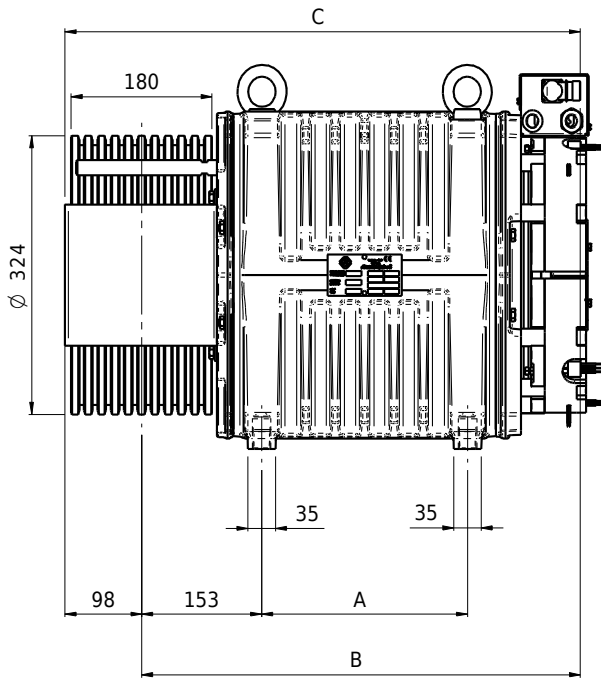
www.montanari-giulio.com - E-mail: info@montanari-giulio.com





Montanari Giulio & C.

MG340.....



Codice Code	A	B	C
	mm	mm	mm
MG340.4....	265	612	710
MG340.6....	365	712	810

MONTANARI GIULIO & C. S.r.l.

41100 MODENA (Italy) – Via Bulgaria,39 –Tel. +39 059 45.36.11 –Fax +39 059 31.58.90 –Cap.Soc. €520.000 i.v. –Export MO 004935

R.E.A. di MO N. 210108 –Reg.Imprese di MO Cod.fisc. e Part.IVA n. 01047170368 –Identification CEE No. IT 01047170368

www.montanari-giulio.com - E-mail: info@montanari-giulio.com





Montanari Giulio & C.

Codice Code	Carico Statico Static load Charge statique Statische Belastung	R.P.M. Max.	Momento torcente nominale Nominal torque moment Moment de torsion nominal Nennndrehmoment	Peso Weight Poids Gewicht	Freno Brake Frein Bremse
	kg.	min ⁻¹	Nm.	kg.	
MG250.2....	2000	320	185 S5 35%ED; 180 S/h	160	2 x 200 Nm, 207/104 VDC
MG250.3....	2000	320	275 S5 35%ED; 180 S/h	180	2 x 420 Nm, 207 VDC
MG250.5....	3400	320	400 S5 40%ED,180 S/h	220	2 x 420 Nm, 207 VDC
MG340.4....	5500	240	720 S5 40%ED, 180 S/h	370	2 x 750 Nm, 207 / 104 VDC
MG340.6...	5500	240	1100 S5 40%ED, 180 S/h	445	2 x 950 Nm, 207 / 104 VDC

Note:

Encoder standard / Encodeur Standard / Impulsgeber Standard: Stegman SRS50

Altri encoder disponibili – Available encoder – Encodeur disponible - Vorhanden Impulsgeber

Heidenhain ERN 1387 - 1385

Heidenhain ECN 1313 Endat

MONTANARI GIULIO & C. S.r.l.

41100 MODENA (Italy) – Via Bulgaria,39 –Tel. +39 059 45.36.11 –Fax +39 059 31.58.90 –Cap.Soc. €520.000 i.v. –Export MO 004935

R.E.A. di MO N. 210108 –Reg.Imprese di MO Cod.fisc. e Part.IVA n. 01047170368 –Identification CEE No. IT 01047170368

www.montanari-giulio.com - **E-mail:** info@montanari-giulio.com





Applicazioni tipiche - Typical Applications – Applications typiques – Typische Ausfuehrungen

Tiro / Roping / mouflage / Aufhaengung: 1:1

Contrappeso / Counterweight / Contrapoids / Gegengewicht: 50%

Rendimento / Efficiency / Rendement / Wirkungsgrad: 79%

Q[Kg]	v[m/s]	0,63	0,8	1	1,6	2
225 (15Kg ropes)		MG250.2 240mm	MG250.2 240mm	MG250.2 240mm	MG250.2 240mm	MG250.2 240mm
		Intern. S5 35% ED 180 S/h Nom. 185Nm 9.5 A Max. 350Nm 17 A	Intern. S5 35% ED 180 S/h Nom. 185Nm 9.5 A Max. 350Nm 17 A	Intern. S5 35% ED 180 S/h Nom. 185Nm 9.5 A Max. 350Nm 17 A	Intern. S5 35% ED 180 S/h Nom. 185Nm 9.5 A Max. 350Nm 17 A	Intern. S5 35% ED 180 S/h Nom. 185Nm 9.5 A Max. 350Nm 17 A
		Inverter MV4F-HT 4kW	Inverter MV4F-HT 4kW	Inverter MV4F-HT 4kW	Inverter MV4F-HT 4kW	Inverter MV4F-HT 4kW
320 (25Kg ropes)		MG250.3 240mm	MG250.3 240mm	MG250.3 240mm	MG250.3 240mm	MG250.3 240mm
		Intern. S5 35% ED 180 S/h Nom. 275Nm 7.5 A Max. 450Nm 12.5 A	Intern. S5 35% ED 180 S/h Nom. 275Nm 7.5 A Max. 450Nm 12.5 A	Intern. S5 35% ED 180 S/h Nom. 275Nm 7.5 A Max. 450Nm 12.5 A	Intern. S5 35% ED 180 S/h Nom. 275Nm 12.5 A Max. 450Nm 19.5 A	Intern. S5 35% ED 180 S/h Nom. 275Nm 12.5 A Max. 450Nm 19.5 A
		Inverter MV4F-HT 4kW	Inverter MV4F-HT 4kW	Inverter MV4F-HT 4kW	Inverter MV4F-HT 5.5kW	Inverter MV4F-HT 5.5kW
480 (25Kg ropes)		MG250.5 240mm	MG250.5 240mm	MG250.5 240mm	MG250.5 240mm	MG250.5 240mm
		Intern. S5 45% ED 180 S/h Nom. 400Nm 9.6 A Max. 680Nm 17 A	Intern. S5 45% ED 180 S/h Nom. 400Nm 9.6 A Max. 680Nm 17 A	Intern. S5 45% ED 180 S/h Nom. 400Nm 9.6 A Max. 680Nm 17 A	Intern. S5 40% ED 180 S/h Nom. 400Nm 16 A Max. 680Nm 28 A	Intern. S5 40% ED 180 S/h Nom. 400Nm 16 A Max. 680Nm 28 A
		Inverter MV4F-HT 4kW	Inverter MV4F-HT 4kW	Inverter MV4F-HT 4kW	Inverter MV4F-HT 7.5kW	Inverter MV4F-HT 7.5kW
630 (45Kg ropes)		MG340.4 320mm	MG340.4 320mm	MG340.4 320mm	MG340.4 320mm	MG340.4 320mm
		Intern. S5 40% ED 180 S/h Nom. 720Nm 12.5A Max. 1200Nm 20.5 A	Intern. S5 40% ED 180 S/h Nom. 720Nm 12.5A Max. 1200Nm 20.5 A	Intern. S5 40% ED 180 S/h Nom. 720Nm 14 A Max. 1200Nm 25 A	Intern. S5 40% ED 180 S/h Nom. 720Nm 24 A Max. 1200Nm 41 A	Intern. S5 40% ED 180 S/h Nom. 720Nm 24 A Max. 1200Nm 41 A
		Inverter MV4F-HT 5.5kW	Inverter MV4F-HT 5.5kW	Inverter MV4F-HT 7.5kW	Inverter MV4F-HT 11kW	Inverter MV4F-HT 11kW
800 (55Kg ropes)		MG340.6 320mm	MG340.6 320mm	MG340.6 320mm	MG340.6 320mm	MG340.6 320mm
		Intern. S5 50% ED 180 S/h Nom. 900Nm 12.5 A Max. 1400Nm 21 A	Intern. S5 50% ED 180 S/h Nom. 900Nm 12.5 A Max. 1400Nm 21 A	Intern. S5 50% ED 180 S/h Nom. 900Nm 15 A Max. 1400Nm 23 A	Intern. S5 45% ED 180 S/h Nom. 900Nm 24 A Max. 1400Nm 39 A	Intern. S5 45% ED 180 S/h Nom. 900Nm 24 A Max. 1400Nm 39 A
		Inverter MV4F-HT 5.5kW	Inverter MV4F-HT 5.5kW	Inverter MV4F-HT 7.5kW	Inverter MV4F-HT 11kW	Inverter MV4F-HT 11kW
1000 (55Kg ropes)		MG340.6 320mm	MG340.6 320mm	MG340.6 320mm	MG340.6 320mm	MG340.6 320mm
		Intern. S5 40% ED 180 S/h Nom. 1100Nm 16 A Max. 1650Nm 25 A	Intern. S5 40% ED 180 S/h Nom. 1100Nm 16 A Max. 1650Nm 25 A	Intern. S5 40% ED 180 S/h Nom. 1100Nm 19 A Max. 1650Nm 29 A	Intern. S5 40% ED 180 S/h Nom. 1100Nm 32 A Max. 1650Nm 51 A	Intern. S5 40% ED 180 S/h Nom. 1100Nm 32 A Max. 1650Nm 51 A
		Inverter MV4F-HT 7.5kW	Inverter MV4F-HT 7.5kW	Inverter MV4F-HT 11kW	Inverter MV4F-HT 15kW	Inverter MV4F-HT 15kW



Montanari Giulio & C.

Tiro / Roping / mouflage / Aufhaengung: 2:1
Contrappeso / Counterweight / Contrapoise / Gegengewicht: 50%
Rendimento / Efficiency / Rendement / Wirkungsgrad: 77%

Q[Kg]	v[m/s]	0,63	0,8	1	1,6	2
450 (10Kg ropes)		MG250.2 240mm Intern. S5 35% ED 180 S/h Nom. 185Nm 9.5 A Max. 350Nm 17 A Inverter MV4F-HT 4kW	MG250.2 240mm Intern. S5 35% ED 180 S/h Nom. 185Nm 9.5 A Max. 350Nm 17 A Inverter MV4F-HT 4kW	MG250.2 240mm Intern. S5 35% ED 180 S/h Nom. 185Nm 9.5 A Max. 350Nm 17 A Inverter MV4F-HT 4kW	MG250.3 240mm Intern. S5 60% ED 180 S/h Nom. 185Nm 11.5 A Max. 350Nm 22 A Inverter MV4F-HT 5.5kW	MG250.3 240mm Intern. S5 60% ED 180 S/h Nom. 185Nm 12.6 A Max. 350Nm 23 A Inverter MV4F-HT 5.5kW
		MG250.3 240mm Intern. S5 35% ED 180 S/h Nom. 275Nm 8.5 A Max. 450Nm 15 A Inverter MV4F-HT 4kW	MG250.3 240mm Intern. S5 35% ED 180 S/h Nom. 275Nm 12.5 A Max. 450Nm 19.5 A Inverter MV4F-HT 5.5kW	MG250.3 240mm Intern. S5 35% ED 180 S/h Nom. 275Nm 12.5 A Max. 450Nm 19.5 A Inverter MV4F-HT 5.5kW	MG250.3 240mm Intern. S5 35% ED 180 S/h Nom. 275Nm 17 A Max. 450Nm 28 A Inverter MV4F-HT 7.5kW	MG250.5 240mm Intern. S5 70% ED 180 S/h Nom. 275Nm 20 A Max. 450Nm 33 A Inverter MV4F-HT 11kW
1000 (20Kg ropes)		MG250.5 240mm Intern. S5 40% ED 180 S/h Nom. 400Nm 12 A Max. 680Nm 20 A Inverter MV4F-HT 5.5kW	MG250.5 240mm Intern. S5 40% ED 180 S/h Nom. 400Nm 16 A Max. 680Nm 28 A Inverter MV4F-HT 7.5kW	MG250.5 240mm Intern. S5 40% ED 180 S/h Nom. 400Nm 16 A Max. 680Nm 28 A Inverter MV4F-HT 7.5kW	MG250.5 240mm Intern. S5 35% ED 180 S/h Nom. 413Nm 24 A Max. 680Nm 41 A Inverter MV4F-HT 11kW	MG250.5 240mm Intern. S5 35% ED 180 S/h Nom. 413Nm 30 A Max. 680Nm 50 A Inverter MV4F-HT 15kW
		MG340.4 320mm Intern. S5 40% ED 180 S/h Nom. 720Nm 15 A Max. 1200Nm 26 A Inverter MV4F-HT 7.5kW	MG340.4 320mm Intern. S5 40% ED 180 S/h Nom. 720Nm 24 A Max. 1200Nm 41 A Inverter MV4F-HT 11kW	MG340.4 320mm Intern. S5 40% ED 180 S/h Nom. 720Nm 24 A Max. 1200Nm 41 A Inverter MV4F-HT 11kW	MG340.4 320mm Intern. S5 40% ED 180 S/h Nom. 720Nm 33 A Max. 1200Nm 56 A Inverter MV4F-HT 15kW	MG340.4 320mm Intern. S5 35% ED 180 S/h Nom. 720Nm 40 A Max. 1200Nm 68 A Inverter MV4F-HT 22kW
1600 (40Kg ropes)		MG340.6 320mm Intern. S5 40% ED 180 S/h Nom. 900Nm 17 A Max. 1400Nm 28 A Inverter MV4F-HT 7.5kW	MG340.6 320mm Intern. S5 40% ED 180 S/h Nom. 900Nm 24 A Max. 1400Nm 39 A Inverter MV4F-HT 11kW	MG340.6 320mm Intern. S5 40% ED 180 S/h Nom. 900Nm 24 A Max. 1400Nm 39 A Inverter MV4F-HT 11kW	MG340.6 320mm Intern. S5 40% ED 180 S/h Nom. 900Nm 37 A Max. 1550Nm 65 A Inverter MV4F-HT 18.5kW	MG340.6 320mm Intern. S5 40% ED 180 S/h Nom. 900Nm 47 A Max. 1650Nm 86 A Inverter MV4F-HT 22kW
		MG340.6 320mm Intern. S5 40% ED 180 S/h Nom. 1100Nm 22 A Max. 1650Nm 36 A Inverter MV4F-HT 11kW	MG340.6 320mm Intern. S5 40% ED 180 S/h Nom. 1100Nm 32 A Max. 1650Nm 51 A Inverter MV4F-HT 15kW	MG340.6 320mm Intern. S5 40% ED 180 S/h Nom. 1100Nm 32 A Max. 1650Nm 51 A Inverter MV4F-HT 15kW	MG340.6 320mm Intern. S5 35% ED 180 S/h Nom. 1100Nm 46 A Max. 1700Nm 74 A Inverter MV4F-HT 22kW	MG340.6 320mm Intern. S5 35% ED 180 S/h Nom. 1100Nm 59 A Max. 1700Nm 93 A Inverter MV4F-HT 30kW

Bertoni Stefano (Dir.Tecnico)

il 29/09/2008

Rev. 02del 28/09/2008 file:gearless-mg_generale_02.odt

MONTANARI GIULIO & C. S.r.l.

41100 MODENA (Italy) – Via Bulgaria,39 –Tel. +39 059 45.36.11 –Fax +39 059 31.58.90 –Cap.Soc. €520.000 i.v. –Export MO 004935

R.E.A. di MO N. 210108 –Reg.Imprese di MO Cod.fisc. e Part.IVA n. 01047170368 –Identification CEE No. IT 01047170368

www.montanari-giulio.com - E-mail: info@montanari-giulio.com

